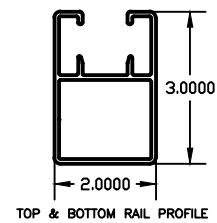
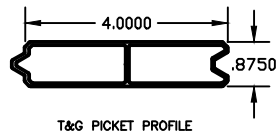
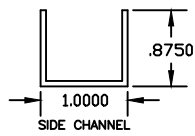
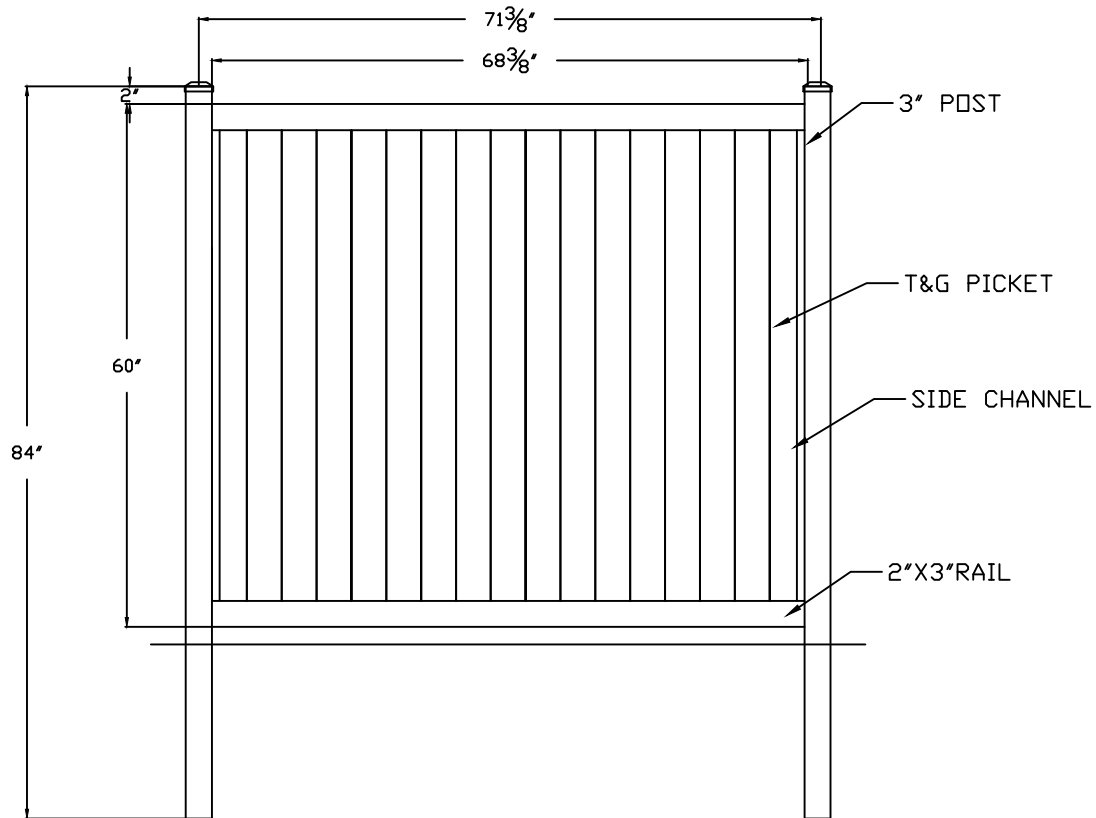




VANGUARD™
ALUMINUM FENCES



American Fence Systems Inc. 2279 South Clinton Avenue South Plainfield, N.J. 07080		
DRAWING		
TYPE: VANGUARD		
STYLE: VERICAL PRIVACY		
HEIGHT: 5'		
DATE	DWG NO	REV
02/01/23	VTGVP5	
SCALE	SHEET	

FNAME

REVDATE

USER

D

C

B

A

D

C

B

A

4

3

2

1

4

3

2

1