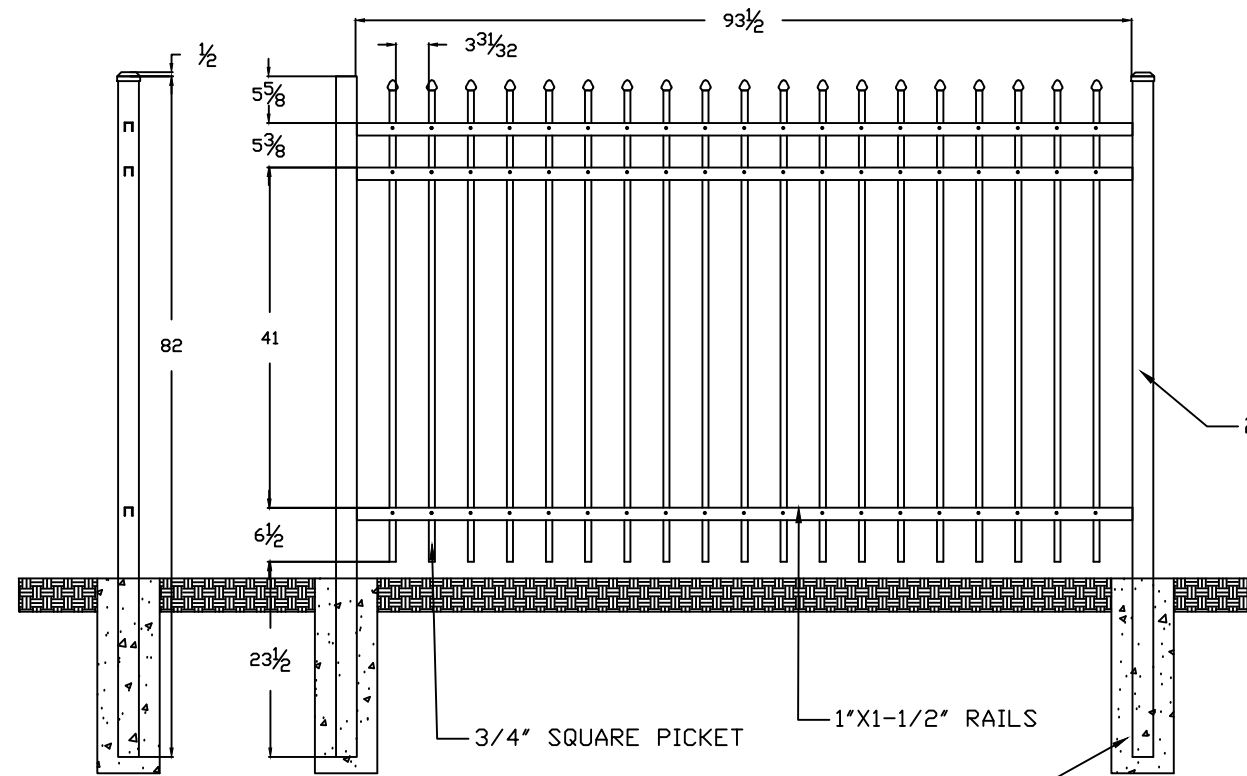




VANGUARD™
ALUMINUM FENCES



American Fence Systems Inc. 2279 South Clinton Avenue South Plainfield, N.J. 07080		
DRAWING TYPE: AVANT STYLE: A-1 HEIGHT: 60"		
DATE 02/01/10	DWG NO AA5	REV
SCALE	SHEET	1

4 3 2 1

D

C

B

A

USER

FNAME

REDATE

4 3 2 1

1/2

5 5/8

5 5/8

93 1/2

33 1/32

82

41

6 1/2

23 1/2

2-1/2" POST

3/4" SQUARE PICKET

1"X1-1/2" RAILS

CONCRETE POST FOOTING