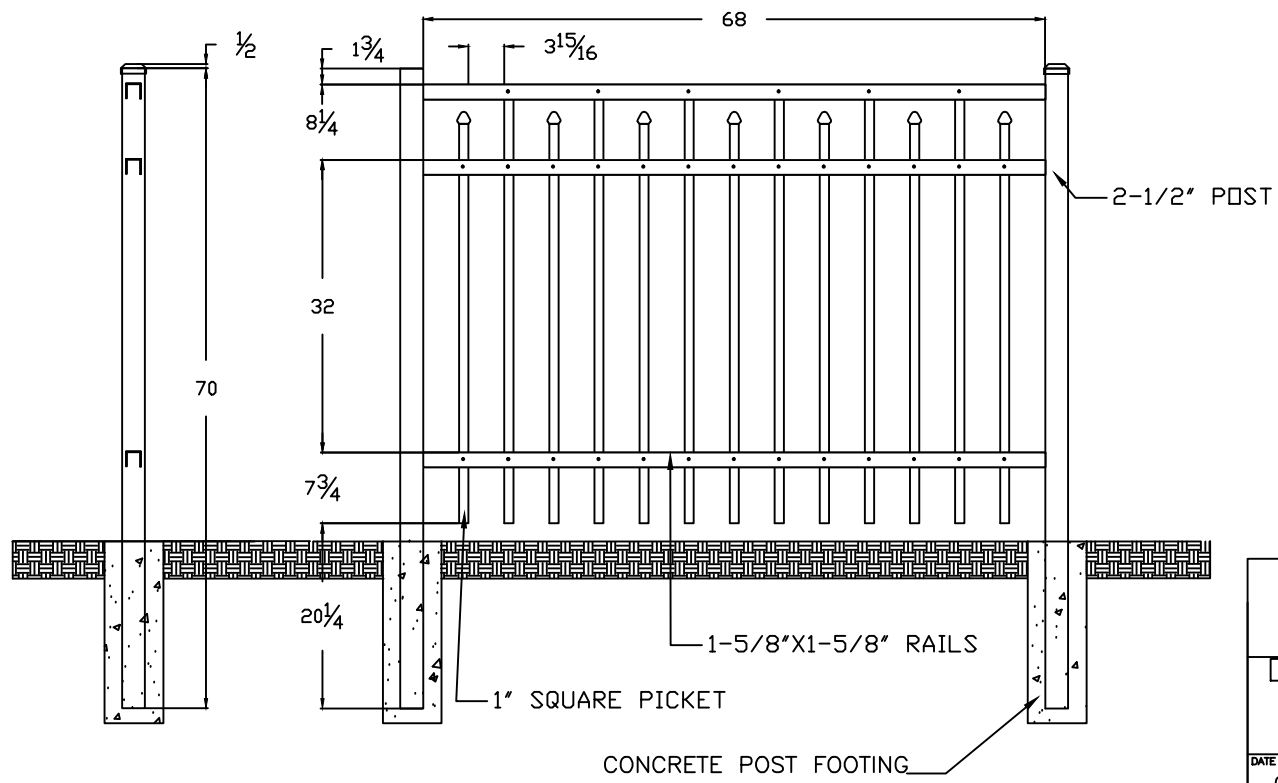




**VANGUARD™**  
ALUMINUM FENCES



American Fence Systems Inc. 2279 South Clinton Avenue South Plainfield, N.J. 07080		
DRAWING		
TYPE: SERIES 1 INDUSTRIAL		
STYLE: LD-2		
HEIGHT: 48"		
DATE	DWG NO	REV
02/12/10	S11LD4	
SCALE	SHEET	
	1	

USER  
RE/DATE  
FNAME  
D  
C  
B  
A